

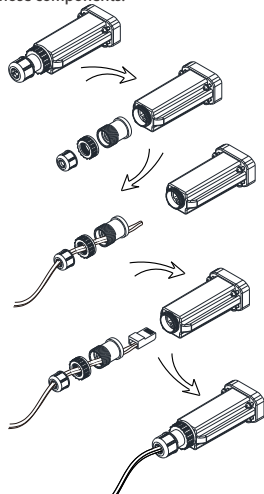


Pocket LAN 2.0 User Manual

Please read this user manual carefully before use.

Installation

- ① Screw off three components on the bottom of the Pocket LAN 2.0, insert the Internet cable and then make the Rj45 Port for the cable as below. Tighten those components.

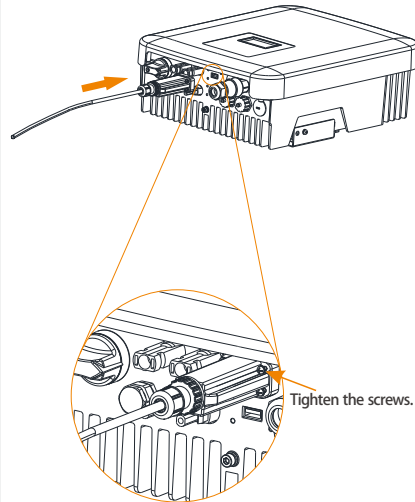


Note: Please use the STANDARD Internet cable.

01

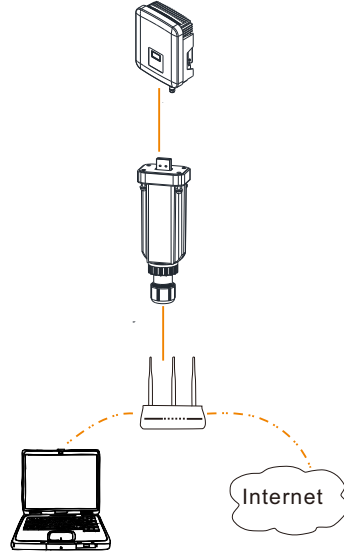
- ② Insert the Pocket LAN 2.0 into "WiFi" port or "WiFi /Lan/GPRS" port at the bottom of inverter.

⚠ -Please make sure all power has been turned off at least 5 minutes before the Installation.
-Please don't insert the Pocket LAN 2.0 into "RF" port or "Upgrade" port.



02

- ③ Connect the other side of the network cable to the home router. And make sure the home router works in good condition.



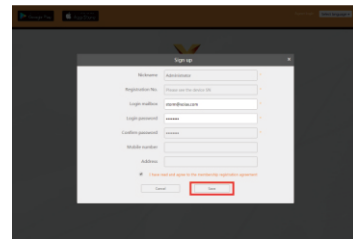
03

Account Registration on website

- Step1: Confirm Pocket LAN 2.0 has been installed successfully, and make sure Internet service is accessible.
- Step2: Enter the URL "https://www.solaxcloud.com" in the browser.
- Step3: Choose "English" and click "Sign-up" .



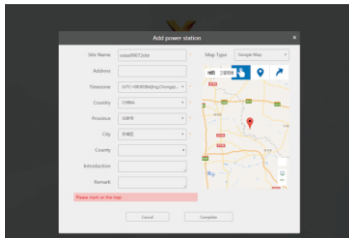
Please complete the Sign Up page, the items with "*" are mandatory and press "Save" .
(Registration No. showing on the lable of device)



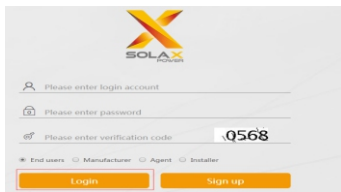
04



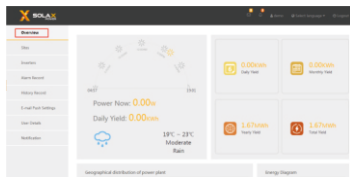
Step4:After successful "Sign Up", "Add Site" page will pop up automatically. The items with "*" are mandatory and click "save" to complete.



Step5: Please refresh the web-page, and make sure the user name, password and verification code have been input correctly. Then click "Log in".



Step6: Now click "overview", user can monitor site and check the data.



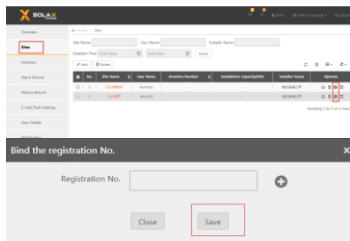
New Site Adding

Click the "Sites" on the left menu bar. Click "Add" and refer to "Site Editing" to complete the operation.



New Inverter Adding

Click the "Sites" on the left menu bar. Select the site, then click "+" to add a new registration No.



Account Registration Via APP

Step1: Download the "Solaxcloud" APP by scanning the QR code below.

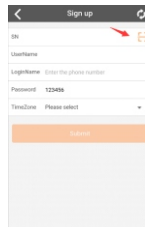
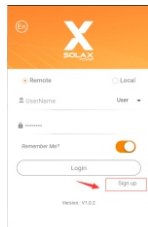


IOS



Android

Step2: Click "Sign Up" and fill in the items below to complete the registration. (SN showing on the label of Pocket device.)



Notes

The signal strength will be affected by the distance between inverter and home router.

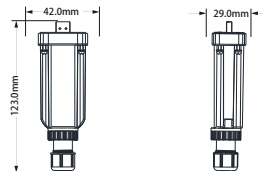
Please make sure that home router is operating properly.

Introduction

Pocket LAN 2.0 makes the monitoring of PV systems feasible and efficient by collecting information from inverter including status, performance and updating information to monitoring website.

- Quick installation with "Plug & Play" function
- IP 65 dust prevention water proofing design
- Stable data transmission and good reliability
- Eco-green and modern design

Appearance and Dimension



Technical Data

Product Name	Pocket LAN 2.0
Supply Voltage	+3.3 V
Data upload intervals	5min
Ethernet	10/100M
Weight	54g
Demission	123×29×42mm
Degree of protection	IP 65

Safety Instructions

- Before installation, all power of inverter must be cut off.
- Keep away from flammable, explosive materials.
- Do not force dismantle or scrap the unit.
- Children should be supervised to ensure that they do not play with this appliance.

Warranty Regulation and Liability

Terms and conditions

SolaX grants a warranty of 12 months as standard. Starting from the date of the purchase invoice marked. SolaX will only perform warranty service when the faulty unit is returned to SolaX together with a copy of invoice and warranty card which were issued by the dealer and manufacturer to the users. In addition, the type label of the unit must be fully legible. If these requirements are not fulfilled, SolaX reserves the right to deny warranty service.

Exclusion of liability

Warranty claims are excluded for direct or indirect damage due to:

- 1: Use of unit in ways not intended, improper installation and installation that does not comply with standards, improper operation and unauthorized modification to the units or repair attempts.
- 2: Without warranty card and serial number.
- 3: Operating the units with defective protective equipment.
- 4: Influence of foreign objects and force majeure.
- 5: Inadequate ventilation.
- 6: Violate relevant safety regulations.

Warranty Registration Form

Name Country

Phone Number..... Zip Code

Email

Address

Product Serial Number.....

Date of Commissioning

Installation Company Name

Date of Delivery

Signature

To register your SolaX product, please mail this warranty card to:

ADD: Room 220, West Building A Sci. and Tech Park of Zhejiang University No.525, Xixi Road, Hangzhou Zhejiang Province, China 310007

Tel: +86 571 56260011 Fax: +86 571 56075753

Email: service@solaxpower.com

Web: <http://solaxpower.com/warranty/>

Online warranty registration is available at <http://solaxpower.com/warranty/>

